



Walk-e-Dog

Long Pull Wire Rope Grip Hoist

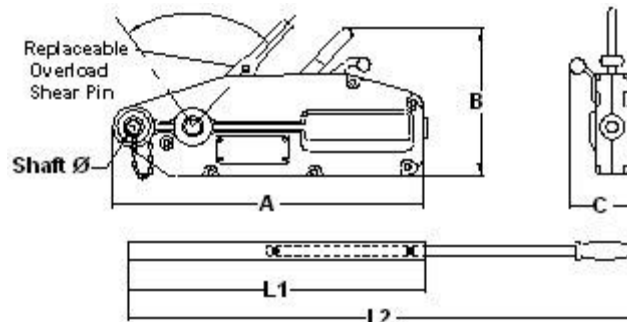
2000, 4000 & 8000 Lb WLL



Telescoping handle optimizes pull and stroke

FEATURES

- Portable lightweight aluminum construction is durable and resist corrosion
- **Any length of commercially available wire rope can be used for unlimited reach.** (See SB022 for wire rope specification)
- Smooth operation with precise control
- Telescoping handle allows the operator to optimize pull and stroke
- Long service life and low maintenance requiring only periodic cleaning, lubrication and inspection
- Overload protection is provided by a shear pin that is easily replaced. **4 extra shear pins are supplied in the lever grip or carrying handle compartments**
- Meets ASME/ANSI B30.21, OSHA and NASA-STD-8719.9 for manually lifting with a 4:1 SF
- 66 Ft. wire rope and rear hook assemblies may be ordered separately



Walk-e-Dog 2000, 4000 & 8000 Lb WLL (Inches and pounds)											
Walk-e-Dog Model	Wire Rope Ø"	ANSI\ASME B30.21, OSHA & NASA Working Load Limit (WLL) @ 4:1 SF	Weight Lbs.	A"	B"	C"	Shaft Ø"	L1"	L2"	Advance /Stroke"	Hand Pull (lbs) @ WLL
WD05	5/16	1T (2000 lbs)	13.2	16.8	9.3	2.5	0.88	-----	31.5	2.1	88
WD07	7/16	2T (4000 lbs)	24.2	21.5	11.0	3.8	1.00	31.5	47.2	2.3	113
WD10	5/8	4T (8000 lbs)	46.4	26.0	12.8	4.6	1.20	31.5	47.2	1.1	113

6X19S IWRC WIRE ROPE ASSEMBLY**(Must be ordered separately)**

Part#	Size	Weight	Length
WD05RA66	5/16"	15 Lbs	66 FT
WD07RA66	7/16"	28 Lbs	66 FT
WD10RA66	5/8"	41 Lbs	66 FT