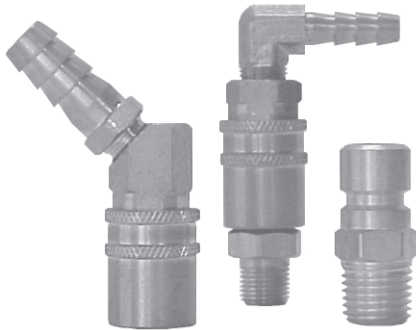


CM-Series Mold Coolant Interchange

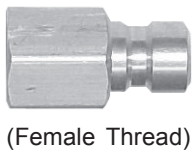


- Non-Valved straight-through couplers are available to maximize flow performance.
- Valved couplers provide automatic shut-off upon disconnection to avoid fluid loss while hoses are not coupled.
- Silicone sealing gaskets are standard and will optimize performance in coolant applications. Range: -68°C to +205°C (-90°F to +400°F)
- Wide variety of sizes and end configurations ensures versatility in a wide variety of applications.
- Highly durable and corrosion resistant materials will optimize longevity and improve performance.

Performance Specifications	Operating Bar (PSI)	Burst Bar (PSI)	Unvalved Flow Rate	Valved Flow Rate
1/4"	14 (200)	69 (1,000)	23 LPM (6 GPM)	13 LPM (3.5 GPM)
3/8"	14 (200)	69 (1,000)	50 LPM (13 GPM)	26 LPM (7 GPM)
1/2"	14 (200)	69 (1,000)	132 LPM (35 GPM)	76 LPM (20 GPM)

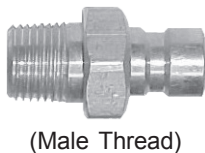
'CM' Series Interchange	Foster	Hansen	Tomco	Parker
1/4"	Series 'FJT'	Flo-Temp	MC200	Moldmate
3/8"	Series 'FJT'	Flo-Temp	MC300	Moldmate
1/2"	Series 'FJT'	Flo-Temp	MC500	Moldmate

CM-Series Industrial Mold Interchange (Nipple)



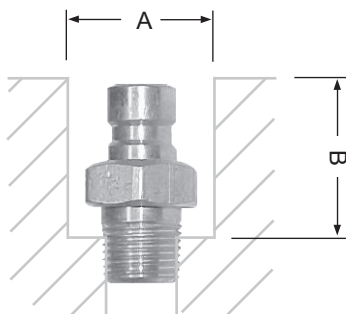
Part Number	Body Size	Thread Size	Body Material	Weight (lb)	List Price	Bag Qty	Pack Qty
CM2F1	1/4"	1/8"-27 NPT	steel	0.02	\$1.97	10	100
CM2F1-B	1/4"	1/8"-27 NPT	brass	0.02	1.71	10	100
CM2F2	1/4"	1/4"-18 NPT	steel	0.04	2.09	10	100
CM2F2-B	1/4"	1/4"-18 NPT	brass	0.05	1.83	10	100
CM2F3	1/4"	3/8"-18 NPT	steel	0.08	2.74	10	100
CM2F3-B	1/4"	3/8"-18 NPT	brass	0.08	2.39	10	100
CM3F2	3/8"	1/4"-18 NPT	steel	0.05	2.64	10	50
CM3F2-B	3/8"	1/4"-18 NPT	brass	0.05	2.30	10	50
CM3F3	3/8"	3/8"-18 NPT	steel	0.06	3.57	10	50
CM3F3-B	3/8"	3/8"-18 NPT	brass	0.07	3.10	10	50
CM4F4-B	1/2"	1/2"-14 NPT	brass	0.09	8.04	5	30
CM4F6-B	1/2"	3/4"-14 NPT	brass	0.10	8.83	5	30

CM-Series Industrial Mold Interchange (Nipple)



Part Number	Body Size	Thread Size	Body Material	Weight (lb)	List Price	Bag Qty	Pack Qty
CM2M1-B	1/4"	1/8"-27 NPT	brass	0.02	\$1.29	10	100
CM2M2-B	1/4"	1/4"-18 NPT	brass	0.03	1.54	10	100
CM2M3-B	1/4"	3/8"-18 NPT	brass	0.05	1.92	10	100
CM3M2-B	3/8"	1/4"-18 NPT	brass	0.04	1.77	10	50
CM3M3-B	3/8"	3/8"-18 NPT	brass	0.06	1.92	10	50
CM3M4-B	3/8"	1/2"-14 NPT	brass	0.07	3.70	10	50
CM4M4-B	1/2"	1/2"-14 NPT	brass	0.10	6.37	5	30
CM4M6-B	1/2"	3/4"-14 NPT	brass	0.11	8.83	5	30

Counterbored mold ports will protect the male threaded nipple, allowing the nipple to be mounted below the surface, simplifying storing and handling of molds. Perfecting male threaded plugs are constructed of corrosion resistant brass to maximize longevity in moist environments.



Part Number	Body Size	Thread Size	Dimension 'A'	Dimension 'B'
CM2M1-B	1/4"	1/8"-27 NPT	17.5mm (0.69")	17.5mm (0.69")
CM2M2-B	1/4"	1/4"-18 NPT	21.3mm (0.84")	23.9mm (0.94")
CM2M3-B	1/4"	3/8"-18 NPT	25.4mm (1.00")	24.6mm (0.97")
CM3M2-B	3/8"	1/4"-18 NPT	17.5mm (0.69")	23.9mm (0.94")
CM3M3-B	3/8"	3/8"-18 NPT	21.3mm (0.84")	28.7mm (1.13")
CM3M4-B	3/8"	1/2"-14 NPT	25.4mm (1.00")	31.8mm (1.25")
CM4M4-B	1/2"	1/2"-14 NPT	31.8mm (1.25")	38.1mm (1.50")
CM4M6-B	1/2"	3/4"-14 NPT	38.1mm (1.50")	39.6mm (1.56")